

10 Amp Digital PWM Motor Speed Controller

SPD-2110-HD and SPD-2110-HDS

The SPD-2110-HD(S) Analog / Digital PWM controller allows you to control the speed of a motor, brightness of a lamp or other device using an analog voltage input, push buttons, or digital logic pulses. Use of PWM and low on-resistance MOSFETs allows for high efficiency control with minimal loss of power.

Absolute Maximum Ratings:

Parameter	Max	Units
Continuous Output Current	10	A
Instantaneous Output Current	13	A
Input Voltage	63	V

Warning – operating at or above the absolute maximum ratings may damage your controller or your equipment under control.

Operating Parameters:

Parameter	Min	Typical	Max	Units
Input Voltage	6	--	58	V
Input Voltage, Transient Low (0.5 sec)	0	--	--	V
Continuous Output Current	--	--	10	A
Digital Logic Input Low Level	0	--	1.5	V
Digital Logic Input High Level	3.5	--	5	V
Digital Input Capacitance	--	0.1	--	uF
Analog Voltage Input	0	--	5	V
Potentiometer Total Resistance	1	10	30	kΩ
Digital Continuous Mode Change Rate	--	33	--	% / s
Soft Start from Disabled Mode, Ramp Rate	--	100	--	% / s
PWM Frequency	150	200	250	Hz
Quiescent Current Drain	5	6	8	mA
Temperature	-40	25	+85	°C

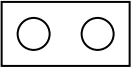
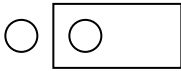


Pin-out:

Pin Label	Function	Active H/L	Mode
EN	PWM output enable (internal pull-up)	H = enable L = disable	Both
UP	Increase Pulse Width (internal pull-up)	L = increase	Digital
POT+	Upper pin of potentiometer (5V)	--	Both
DN/Center	Wiper of potentiometer (analog) Decrease Pulse Width (digital) (internal pull-up in digital mode)	L = decrease (digital)	Both
POT-	Lower pin of potentiometer (GND)	--	Analog
OUT-	Negative output to LOAD	--	Both
OUT+	Positive output to LOAD	--	Both
GND in	Ground from power supply	--	Both
V+ in	Positive Power Supply	--	Both

Modes of Operation:

The SPD-2110-HD(S) can be operated in analog or digital mode. The jumper labeled A/D (JP1) is used to select between analog and digital inputs. Jumper CLKED is used to select between clocked digital speed selection and continuous digital speed selection (or push button mode).

Table 1: Jumper Configuration

	Jumper Label	Position	Function
	A/D (JP1)	Closed	Potentiometer (Analog Mode)
	A/D (JP1)	Open	Digital Mode
	CLKED (JP2)	Closed	Microcontroller/PLC Mode
	CLKED (JP2)	Open	Push Button Mode

Note: All jumper setting changes take effect at power-up. Power down the board before changing the jumper settings.

Analog Mode:

When the board is configured for analog operation using the jumper, a varying voltage (0 – 5 V) level is converted to the pulse width at the output (0 – 100%). A potentiometer with a total resistance of 1kΩ to 25 kΩ may be used for speed control.

If using a 0-5V analog control voltage instead, connect the 0-5V signal into the DN/CN pin, and ground to the P- terminal.

There is a built-in dead-band for potentiometer operation that sets the duty cycle to:
 0% for any voltage level < 0.10 V.
 100% for any voltage level > 4.90 V.

This dead-band along with digital filtering ensures smooth and reliable operation.

Digital Mode:

There are two ways to operate in digital mode: Clocked Mode and Continuous Mode.

Microcontroller Mode:

In microcontroller mode, the UP and DN inputs are used to control the duty cycle. For every rising edge of the UP [DN] line, the output pulse width is increased [decreased] by approximately 0.4%. Once the pulse width reaches 0%, any further inputs on the DN line have no effect. Similarly, when the pulse width reaches 100%, any further inputs on the UP line have no effect.

Push-button Mode:

In push button mode, the UP and DN inputs are designed for interfacing to push buttons. When the UP line is brought LOW, the duty cycle is continuously increased at a rate of $\sim 33\%$ per second. Similarly, when the DN line is brought low, the duty cycle is decreased at a rate of $\sim 33\%$ per second. Any additional increase [decrease] after the pulse width has reached 100% [0%] will have no effect on the output.

Automatic digital de-bouncing of the inputs is implemented in continuous mode.

Output Enable:

The output is enabled by default and is internally pulled up. Bringing this pin low immediately brings the PWM output to 0%. Allowing the pin to go back to high re-enables the PWM output at the previous duty cycle.

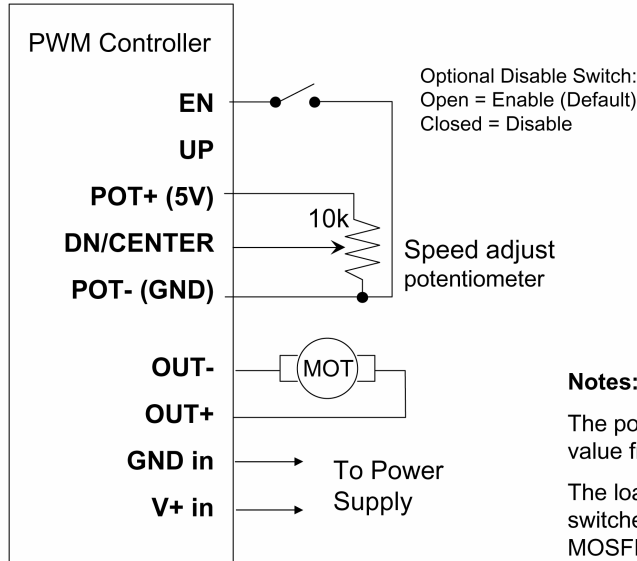
When in digital mode, the duty cycle may be changed by the UP and DN pins at all times, even in PWM output disabled mode. Thus, it is possible to turn off the output, change the duty cycle, and turn on the output again, but at the new duty cycle.

Soft Start (SPD-2110-HDS only):

The output is automatically ramped up back to the full PWM level at a rate of 100% per second. This reduces the stress placed on power supplies and mechanical linkages as motors come back up to speed, or as high temperature resistive loads heat up (such as light bulbs).

Connection Diagrams:

Analog Control Mode

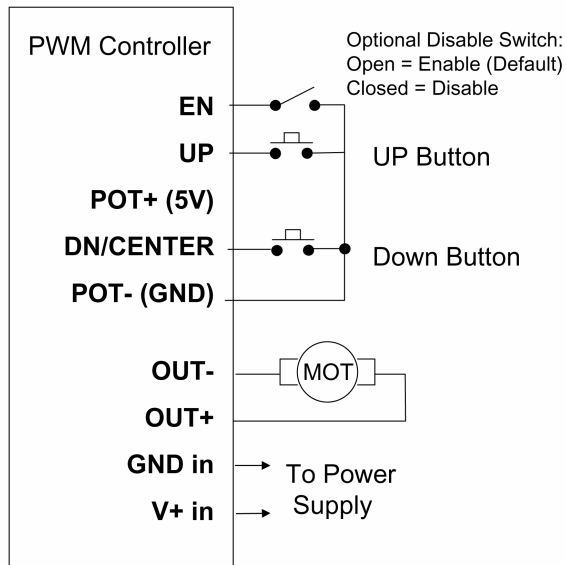


Notes:

The potentiometer can be any value from 1k to 100k.

The load's negative terminal is switched (grounded) via the MOSFET. Do not tie the load's negative terminal to power supply ground.

Digital Control Mode: Push-button interface

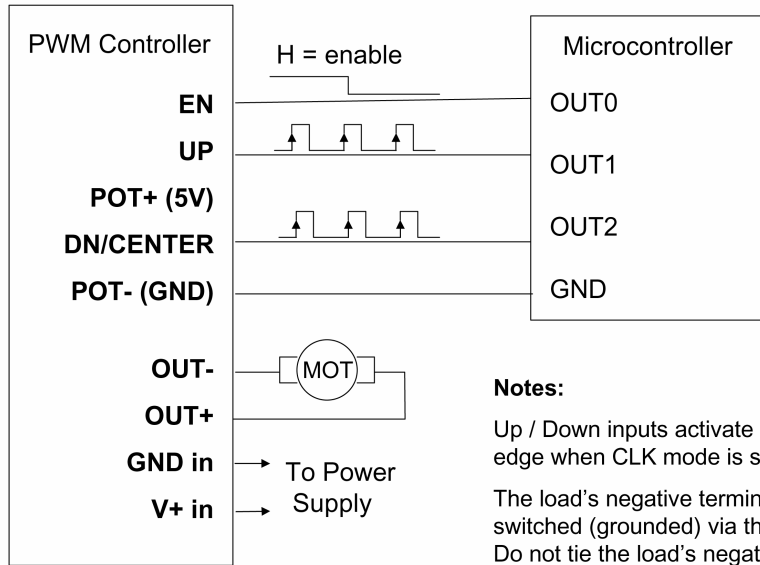


Notes:

Press and hold the UP button to increase the power. Press and hold the DOWN button to decrease the power.

The load's negative terminal is switched (grounded) via the MOSFET. Do not tie the load's negative terminal to power supply ground.

Digital Control Mode : Microcontroller interface



Application Notes:

Warning: High voltage is present on the circuit board and heat sink during operation. Do not touch any components on the controller while power is applied. Always disconnect the power supply before making any wiring changes.

A fuse appropriately rated for the load device is required to ensure safe operation.

This controller is not reverse-polarity protected. **Ensure that it is wired correctly before applying power.** Always turn off the power supply before making any changes to the wiring.

PWM controllers switch currents at high frequencies to vary the average power to the load. This switching can cause undesirable RF interference. To minimize such interference, it is recommended to twist the input V+ and Ground wire pair as well as the Out+ and Out- wire pair.

Ensure that the controller has adequate air flow for proper cooling. If operating for extended periods of time in high temperature environments, a cooling fan may be necessary.

Use the shortest possible wiring between the load and controller, and between the controller and the power source. Ensure that the cables carrying the load current are adequately sized. If the wiring from the power source to the controller is more than 12 inches long, a 1000 uF 100V filter capacitor should be connected to the V+ and GND terminals of the PWM controller. Inadequate power supply filtering or other causes leading to a high impedance path to the power supply will result in higher losses in the filter capacitor and wiring, and may damage the load and/or controller.

The heat sink on the controller is electrically live. Do not connect anything to the heat sink, and do not use it as a mounting location. Use only the holes provided on the board itself for mounting.

30-Day Limited Warranty:

Subject to the provisions described below, CRITICAL VELOCITY ENTERPRISES, LLC ("Critical Velocity") warrants this product to be free from defects in material and workmanship for thirty (30) days from the date of purchase by the original consumer. If any part is found to be defective during the warranted period, it will be repaired or replaced with the same or functionally equivalent product by Critical Velocity, at its discretion, free of charge provided you: (1) return the failed product to Critical Velocity with shipping prepaid, and (2) provide Critical Velocity with proof of the original date of purchase. Repaired or replacement products will be returned to you with shipping charges prepaid.

Replacement products may be refurbished or contain refurbished materials. If Critical Velocity, by its sole determination, is unable to repair or replace the defective product, it will refund the purchase price of the product. This warranty does not apply if, in the judgment of Critical Velocity, the product fails due to damage from shipment, handling, storage, accident, abuse or misuse, or if it has been used or maintained in a manner not conforming to product manual instructions or has been modified in any way. Repair by anyone other than Critical Velocity will void this warranty. The maximum liability of Critical Velocity under this warranty is limited to the purchase price of the product covered by the warranty.

EXCEPT AS SPECIFICALLY PROVIDED IN THIS AGREEMENT OR AS REQUIRED BY LAW, THE WARRANTIES AND REMEDIES STATED ABOVE ARE EXCLUSIVE AND IN LIEU OF ALL OTHERS, ORAL OR WRITTEN, EXPRESS OR IMPLIED. ANY AND ALL OTHER WARRANTIES, INCLUDING IMPLIED WARRANTIES OF MERCHANTABILITY, FITNESS FOR A PARTICULAR PURPOSE AND NON-INFRINGEMENT OF ANY PATENT, COPYRIGHT OR OTHER INTELLECTUAL PROPERTY RIGHT ARE EXPRESSLY EXCLUDED. CRITICAL VELOCITY SHALL NOT UNDER ANY CIRCUMSTANCES BE LIABLE FOR ANY SPECIAL, INCIDENTAL, INDIRECT OR CONSEQUENTIAL DAMAGES, INCLUDING WITHOUT LIMITATION, DAMAGES RESULTING FROM USE OR MALFUNCTION OF THE PRODUCTS, LOSS OF PROFITS OR REVENUES OR COSTS OF REPLACEMENT GOODS, EVEN IF CRITICAL VELOCITY IS INFORMED IN ADVANCE OF THE POSSIBILITY OF SUCH DAMAGES.

UNLESS EXPRESSLY APPROVED IN WRITING BY AN AUTHORIZED CRITICAL VELOCITY REPRESENTATIVE, CRITICAL VELOCITY PRODUCTS ARE NOT RECOMMENDED, AUTHORIZED OR WARRANTED FOR USE IN MILITARY, AIR CRAFT, SPACE, LIFE SAVING OR LIFE SUSTAINING APPLICATIONS, NOR IN PRODUCTS OR SYSTEMS WHERE FAILURE OR MALFUNCTION MAY RESULT IN PERSONAL INJURY, DEATH, OR SEVERE PROPERTY OR ENVIRONMENTAL DAMAGE.